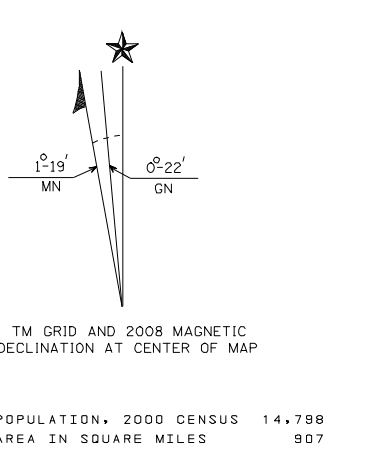




ROADS AND ROADWAY FEATURES		RAILROADS		PUBLIC SERVICE FACILITIES		CHURCHES, CEMETERIES, ETC.	
PAVEMENT ROAD	UNPAVEMENT ROAD	RAILROAD	RAILROAD	COURTHOUSE	CHURCH	CHURCH	CHURCH
GRAVEL ROAD	GRAVEL ROAD	RAILROAD	RAILROAD	POST OFFICE	CHURCH AND SCHOOL	CHURCH AND SCHOOL	CHURCH AND SCHOOL
ROAD UNDER CONSTRUCTION	ROAD UNDER CONSTRUCTION	RAILROAD	RAILROAD	POST OFFICE	CHURCH AND SCHOOL	CHURCH AND SCHOOL	CHURCH AND SCHOOL
ROAD UNDER CONSTRUCTION	ROAD UNDER CONSTRUCTION	RAILROAD	RAILROAD	POST OFFICE	CHURCH AND SCHOOL	CHURCH AND SCHOOL	CHURCH AND SCHOOL
ROAD UNDER CONSTRUCTION	ROAD UNDER CONSTRUCTION	RAILROAD	RAILROAD	POST OFFICE	CHURCH AND SCHOOL	CHURCH AND SCHOOL	CHURCH AND SCHOOL

GENERAL HIGHWAY MAP SUMTER COUNTY ALABAMA

PREPARED BY THE
ALABAMA DEPARTMENT OF TRANSPORTATION
BUREAU OF TRANSPORTATION PLANNING/
MODAL PROGRAMS
SURVEYING AND MAPPING DIVISION
IN COOPERATION WITH THE
U.S. DEPARTMENT OF TRANSPORTATION
FEDERAL HIGHWAY ADMINISTRATION



COPIES OF THIS MAP ARE AVAILABLE TO THE PUBLIC BY ORDER OF THE ALABAMA DEPARTMENT OF TRANSPORTATION, SURVEYING AND MAPPING DIVISION, 1000 EAST HIGHWAY 20, TUSCALOOSA, ALABAMA 35703. NOTE THESE COPIES ARE NOT FOR RESALE IN EXCESS OF THE ACTUAL QUANTITY OF THE DEPARTMENT.

DUKE TO THE SCALE OF THIS MAP THE ALABAMA DEPARTMENT OF TRANSPORTATION AND ITS AFFILIATES ASSUME NO RESPONSIBILITY FOR INACCURACIES IN ROAD ALIGNMENTS, DIMENSIONS, OR INTERSECTION POINTS. DATA FROM UNRELIABLE SOURCES.

CITY, MILITARY AND OTHER RELATED BOUNDARIES ARE PLOTTED USING ALL AVAILABLE DESCRIPTIONS OF BOUNDARIES IN THE ALABAMA DEPARTMENT OF TRANSPORTATION CORRECT ACCEPT RESPONSIBILITY FOR INACCURACIES RESULTING FROM UNRELIABLE OR UNKNOWN DATA.

2008

Control by NATIONAL OCEANIC SURVEY AND ALABAMA DEPARTMENT OF TRANSPORTATION. Horizontal Meridian Projection, 1983 North American Datum, 10,000 foot grid based on Alabama (NAD83) rectangular coordinate system. Compiled by photogrammetry methods from aerial photographs taken 1998. 1:60,000 scale. Prepared and printed from the computer-aided drafting and design system. COPYRIGHT STATE OF ALABAMA