

CITY, MILITARY AND OTHER RELATED BOUNDARIES ARE PLOTTED USING ALL AVAILABLE DESCRIPTIONS AT DATE OF REVISION. THE ALABAMA DEPARTMENT OF TRANSPORTATION CANNOT ACCEPT RESPONSIBILITY FOR INACCURACIES RESULTING FROM UNSTABLE OR UNKNOWN DATA.

COPIES OF THIS MAP ARE AVAILABLE TO THE PUBLIC AT NOMINAL COST AT THE ALABAMA DEPARTMENT OF TRANSPORTATION MAP SALES OFFICE
 1409 COLLESIUM BOULEVARD
 MONTGOMERY, ALABAMA 36130-3050

THE ALABAMA DEPARTMENT OF TRANSPORTATION AND ITS AFFILIATES DO NOT SPECIFY OWNERSHIP OR MAINTENANCE OF ANY ROAD OR OTHER FEATURES DEPICTED ON THIS MAP.

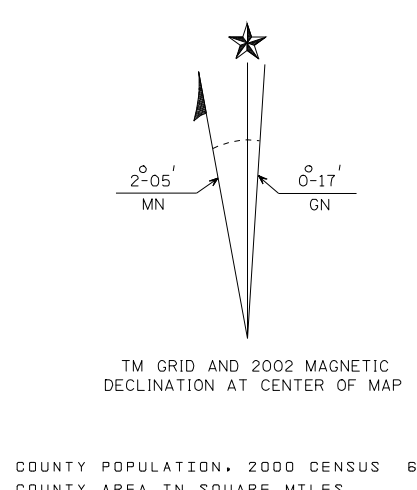
DUE TO THE SCALE OF THIS MAP THE ALABAMA DEPARTMENT OF TRANSPORTATION AND ITS AFFILIATES ASSUME NO RESPONSIBILITY FOR INACCURACIES IN ROAD ALIGNMENTS, CONFIGURATION OF INTERSECTIONS AND OTHER RELATED DATA.

LEGEND

- | | | | |
|--|--|--|--|
| <p>ROADS AND ROADWAY FEATURES</p> <ul style="list-style-type: none"> UNIMPROVED ROAD GRAVEL, STONE OR SOIL ROAD 2 LANE PAVED STATE ROUTE 4 LANE DIVIDED STATE ROUTE 4 LANE UNDIVIDED STATE ROUTE OTHER 2 LANE PAVED ROADS OTHER 4 LANE UNDIVIDED PAVED ROADS SIDE ROADS AND STREETS INTERCHANGE <p>ROAD SYSTEM DESIGNATION</p> <ul style="list-style-type: none"> INTERSTATE HIGHWAY SYSTEM U.S. NUMBERED SYSTEM STATE HIGHWAY SYSTEM COUNTY ROAD NUMBER NATIONAL FOREST HIGHWAY SCENIC BYWAY INTERCHANGE EXIT NUMBER <p>NAVIGATION</p> <ul style="list-style-type: none"> FERRY (FF-FREE, TP-TOLL) LIGHT - NAUTICAL LIPTHOUSE NAVIGABLE STREAM NON-NAVIGABLE STREAM LEVEL <p>CITY AND VILLAGE CENTERS</p> <ul style="list-style-type: none"> STATE CAPITAL COUNTY SEAT OTHER TOWNS AND VILLAGES INCORPORATED CITY OR TOWN <p>MISCELLANEOUS STRUCTURES</p> <ul style="list-style-type: none"> DAW WITH ROAD HIGHWAY TUNNEL CLOSE BY WINDROW DRAINAGE STRUCTURE FORD-ROAD ESTABLISHED GATE ACROSS ROAD | <p>RAILROADS</p> <ul style="list-style-type: none"> RAILROADS IN JUNCTURE RAILROAD STATION RAILROAD CROSSING RAILROAD ABANDONED RAILROAD BELONG RAILROAD BRIDGE RAILROAD TUNNEL ABANDONED RAILROAD <p>HIGHWAY BRIDGES</p> <ul style="list-style-type: none"> HIGHWAY BRIDGE-GENERAL ARCH BRIDGE TRUSS OR SINGER (S-STEEL-WOOD) CANTILEVER BRIDGE HIGHWAY GRADE SEPARATION <p>AIRPORTS</p> <ul style="list-style-type: none"> AIRPORT-GENERAL MILITARY AIRFIELD AIRPORT-COMPOSITE FACILITIES AIRPORT-LIMITED FACILITIES LANDING AREA OR STRIP <p>INDUSTRIAL</p> <ul style="list-style-type: none"> INDUSTRIAL PARK MINE, SHANT OR DREFT MINE OPENING OIL OR GAS WELL PUMPING STATION-OIL OR GAS DRAINAGE OR PUMPING STATION <p>DRAINAGE AND NATURAL FEATURES</p> <ul style="list-style-type: none"> INTERMITTENT STREAM NARROW STREAM WIDE STREAM-DAM LAKE, RESERVOIR OR POND MARSH OR SWAMP OVERFLOW LAND MOUNTAIN RANGE SEAL | <p>PUBLIC SERVICE FACILITIES</p> <ul style="list-style-type: none"> COURTHOUSE POST OFFICE RAILROAD STATION PIPE LINE-GAS PIPE LINE-OIL PIPE LINE-PETROLEUM TRANSMISSION LINE POWER PLANT POWER SUB-STATION UNDERGROUND TELEPHONE CABLE RADIO OR TELEVISION STATION DEPARTMENT OF TRANSPORTATION OFFICE RADIO, MICROWAVE TOWER, ETC. POLICE OR SHERIFF STATION STATE PROPER HEADQUARTERS ROOSTER STATION FIRE STATION <p>CONSERVATION AND RECREATION</p> <ul style="list-style-type: none"> ROADSIDE PARK-PICNIC GROUND PLAYGROUND, BALL FIELD, ETC. BAYING BEACH OR SWIMMING POOL SCENIC SITE-OVERLOOK CAMP OR LODGE SMALL PARK (SP-STATE) CP-COUNTY FOREST RANGER STATION OBSERVATION OR LOOKOUT TOWER PROMINENT PEAK AND LOOKOUT TOWER FISH HATCHERY-BASIN FISH HATCHERY-POND GOLF COURSE YACHT CLUB OR MARINA AMUSEMENT PARK OR HALL FISHING HOLE OR SPRECKAY AMUSEMENT PARK OR HALL HISTORIC SITE OR RUIN COVERED BRIDGE LIFE SAVERS STATION COAST GUARD STATION GAME FARM RAILS TO TRAILS-BIKING/HIKING HORSEBACK RIDING AND SKATING | <p>CHURCHES, CEMETERIES, ETC.</p> <ul style="list-style-type: none"> CHURCH CHURCH AND SCHOOL CEMETERY CHURCH AND CEMETERY NURSING OR REST HOME HOSPITAL <p>EDUCATIONAL AND CORRECTIONAL</p> <ul style="list-style-type: none"> SCHOOLHOUSE OTHER EDUCATIONAL INSTITUTIONS TOWN HALL OR COUNTY OFFICE AGRICULTURAL EXPERIMENT STATION PRISON OR CORRECTIONAL INSTITUTION <p>BOUNDARIES</p> <ul style="list-style-type: none"> STATE BOUNDARY COUNTY BOUNDARY TOWNSHIP LINE SECTION LINE LAND GRANT LINE WILDLIFE MANAGEMENT AREA NATIONAL OR STATE FOREST BOUNDARY STATE PARK BOUNDARY MILITARY RESERVATION BOUNDARY <p>MISCELLANEOUS</p> <ul style="list-style-type: none"> ARMORY FISH HATCHERY-BASIN LANDFILL SEAP METAL JUNKYARD ANTONVILLE JUNKYARD SEWAGE DISPOSAL PLANT REST AREA OR WELCOME CENTER TRANSMISSION STATION GPS STATION BM-GPS STATION TRANSMISSION-OPS STATION BM-TRANSMISSION-OPS STATION NURSING OR REST HOME BENCH MARK-4TH ELEVATION DOT INDICATES ACTUAL LOCATION OF FEATURE WHERE SPACE IS NOT AVAILABLE |
|--|--|--|--|

**GENERAL HIGHWAY MAP
 LIMESTONE COUNTY
 ALABAMA**

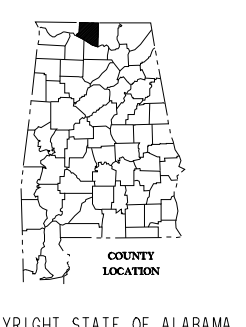
PREPARED BY THE
 ALABAMA DEPARTMENT OF TRANSPORTATION
 BUREAU OF TRANSPORTATION PLANNING
 SURVEYING AND MAPPING DIVISION
 IN COOPERATION WITH THE
 U.S. DEPARTMENT OF TRANSPORTATION
 FEDERAL HIGHWAY ADMINISTRATION



COUNTY POPULATION, 2000 CENSUS 65,676
 COUNTY AREA IN SQUARE MILES 569

SCALE
 2002

Control by NATIONAL OCEAN SURVEY AND ALABAMA DEPARTMENT OF TRANSPORTATION
 Transverse Mercator Projection, 1927 North American Datum, 10,000 foot grid based on Alabama (NAD83) rectangular coordinate system
 Compiled by photogrammetric methods from aerial photographs taken 1997. Field examination 2001.
 Prepared and plotted from the computer aided drafting and design system.



COPYRIGHT STATE OF ALABAMA