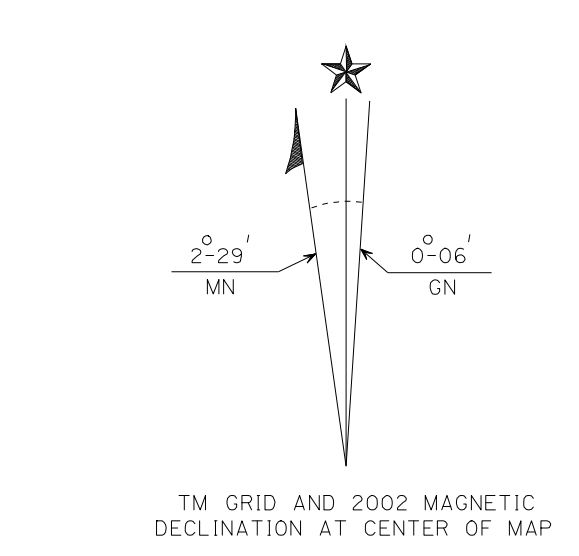


LEGEND

- | | |
|---|--|
| <p>ROADS AND ROADWAY FEATURES</p> <ul style="list-style-type: none"> PRIMITIVE ROAD..... UNIMPROVED ROAD..... GRAVEL AND DRAINED ROAD..... GRAVEL, STONE OR SOIL ROAD..... 2 LANE PAVED ROAD..... 4 LANE DIVIDED STATE ROUTE..... OTHER 2 LANE PAVED ROAD..... OTHER 4 LANE DIVIDED PAVED ROAD..... OTHER 4 LANE UNDIVIDED PAVED ROAD..... SIDE ROADS AND STREETS..... INTERCHANGE..... <p>ROAD SYSTEM DESIGNATION</p> <ul style="list-style-type: none"> INTERSTATE HIGHWAY SYSTEM..... U.S. NUMBERED SYSTEM..... STATE HIGHWAY SYSTEM..... COUNTY ROAD NUMBER..... NATIONAL FOREST HIGHWAY..... SCENIC BYWAY..... INTERCHANGE EXIT NUMBER..... <p>CITY AND VILLAGE CENTERS</p> <ul style="list-style-type: none"> STATE CAPITOL..... COUNTY SEAT..... OTHER TOWNS AND VILLAGES..... INCORPORATED CITY OR TOWN..... <p>MISCELLANEOUS STRUCTURES</p> <ul style="list-style-type: none"> COURTHOUSE..... POST OFFICE..... WATER TANK OR STAND PIPE..... PIPE LINE-GAS..... PIPE LINE-OIL..... PIPE LINE-PETROLEUM..... TRANSMISSION LINE..... POWER PLANT..... POWER SUB-STATION..... UNDERGROUND TELEPHONE CABLE..... RADIO OR TELEVISION STATION..... HIGHWAY GARAGE..... DEPARTMENT OF TRANSPORTATION RADIO..... RADIO MICHROPHONE TOWER, ETC..... POLICE OR SHERIFF STATION..... STATE TROOPER HEADQUARTERS..... BOOZIER STATION..... FIRE STATION..... <p>CONSERVATION AND RECREATION</p> <ul style="list-style-type: none"> ROADSIDE PARK-PICNIC GROUND..... PLAYGROUND-BALL FIELD, ETC..... BATHING BEACH OR SWIMMING POOL..... SCENIC SITE-OVERLOOK..... CAMP OR LODGE..... SMALL PARK (SP-STATE); (CP-COUNTY)..... FOREST RANGER STATION..... OBSERVATION OR LOOKOUT TOWER..... PROMINENT PEAK AND LOOKOUT TOWER..... FISH HATCHERY-BASIN..... GAME PRESERVE..... GOLF COURSE OR COUNTRY CLUB..... YACHT CLUB OR MARINA..... AMUSEMENT PARK OR HALL..... FATBOUNDS, RACE TRACK OR SPEEDWAY..... DREN-IN THEATRE..... HISTORIC SITE OR RUIN..... COVERED BRIDGE..... LIFE SAVING STATION..... COAST GUARD STATION..... GAME FARM..... RULES TO TRAILS-BYDING-HYKENS..... HORSEBACK RIDING AND SKATING..... | <p>RAILROADS</p> <ul style="list-style-type: none"> RAILROADS IN JUNCTION POSITION..... RAILROAD STATION..... RAILROAD CROSSING..... RAILROAD ABOVE..... RAILROAD BELOW..... RAILROAD BRIDGE..... RAILROAD TUNNEL..... ABANDONED RAILROAD..... <p>HIGHWAY BRIDGES</p> <ul style="list-style-type: none"> HIGHWAY BRIDGE-GENERAL..... ARCH BRIDGE..... TRUSS OR GIRDER (S-STEEL)-WOOD..... CANTILEVER BRIDGE..... HIGHWAY GRADE SEPARATION..... <p>AIRPORTS</p> <ul style="list-style-type: none"> AIRPORT-GENERAL..... MILITARY AIRFIELD..... AIRPORT-COMLETE FACILITIES..... AIRPORT-LIMITED FACILITIES..... HELIPAD..... LANDING AREA OR STRIP..... <p>INDUSTRIAL</p> <ul style="list-style-type: none"> INDUSTRIAL PARK..... MINE-SHAFT OR DRIFT..... MINE OPENING..... OIL OR GAS WELL..... STORAGE TANKS..... PUMPING STATION-OIL OR GAS..... GAUGING OR PUMPING STATION..... WATER TOWER..... <p>MISCELLANEOUS STRUCTURES</p> <ul style="list-style-type: none"> DAM WITH ROAD..... HIGHWAY TUNNEL..... CAUSEWAY..... WINDROW DRAINAGE STRUCTURE..... FORD-ROAD ESTABLISHING..... GATE ACROSS ROAD..... <p>INTERMITTENT STREAM</p> <ul style="list-style-type: none"> NARROW STREAM..... SIDE STREAM-DAM..... LAKE, RESERVOIR OR POND..... MARSH OR SWAMP..... OVERFLOW LAND..... MOUNTAIN RANGE..... SWAMP..... <p>CHURCHES, CEMETERIES, ETC.</p> <ul style="list-style-type: none"> CHURCH..... CHURCH AND SCHOOLS..... CEMETERY..... CHURCH AND CEMETERY..... NURSING OR REST HOME..... HOSPITAL..... <p>EDUCATIONAL AND CORRECTIONAL</p> <ul style="list-style-type: none"> SCHOOLHOUSE..... OTHER EDUCATIONAL INSTITUTIONS..... TOWN HALL OR COMMUNITY CENTER..... CHURCH AND CEMETERY..... AGRICULTURAL EXPERIMENT STATION..... PRISON OR CORRECTIONAL INSTITUTION..... <p>BOUNDARIES</p> <ul style="list-style-type: none"> STATE BOUNDARY..... COUNTY BOUNDARY..... INCORPORATED CITY BOUNDARY..... TOWNSHIP LINE..... SECTION LINE..... LAND GRANT LINE..... WILDLIFE MANAGEMENT AREA..... NATIONAL OR STATE FOREST BOUNDARY..... STATE PARK BOUNDARY..... MILITARY RESERVATION BOUNDARY..... <p>MISCELLANEOUS</p> <ul style="list-style-type: none"> ARMORY..... AREAL..... LANDFILL..... SCRAP METAL JUNKYARD..... AUTOMOBILE JUNKYARD..... SEWAGE DISPOSAL PLANT..... WEST AREA OR WELCOME CENTER..... TRIANGULATION STATION..... GPS STATION..... RMS-GPS STATION..... TRIANGULATION-GPS STATION..... BM-TRIANGULATION-GPS STATION..... BENCH MARK-WITH ELEVATION..... DOT INDICATES ACTUAL LOCATION OF FEATURE WHERE SPACE IS NOT AVAILABLE..... |
|---|--|

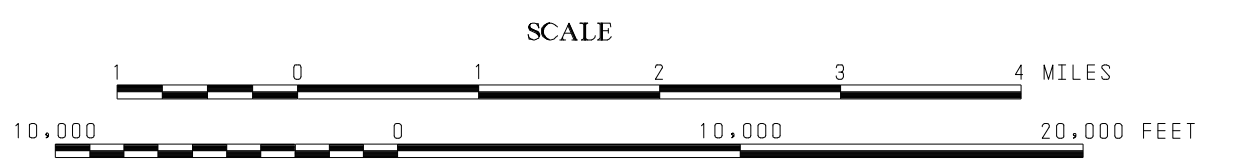


TM GRID AND 2002 MAGNETIC DECLINATION AT CENTER OF MAP

COUNTY POPULATION, 2000 CENSUS 49,129
COUNTY AREA IN SQUARE MILES 561

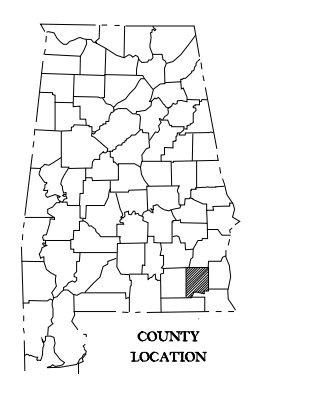
GENERAL HIGHWAY MAP DALE COUNTY ALABAMA

PREPARED BY THE
ALABAMA DEPARTMENT OF TRANSPORTATION
BUREAU OF TRANSPORTATION PLANNING
SURVEYING AND MAPPING DIVISION
IN COOPERATION WITH THE
U.S. DEPARTMENT OF TRANSPORTATION
FEDERAL HIGHWAY ADMINISTRATION



2002

Control by NATIONAL OCEAN SURVEY and ALABAMA DEPARTMENT OF TRANSPORTATION
Transverse Mercator Projection, 1927 North American Datum, 10,000 foot grid based on Alabama (EAST1) rectangular coordinate system
Compiled by photogrammetric methods from aerial photographs taken 1997. Field examination 2001.
Prepared and plotted from the computer aided drafting and design system.



COPYRIGHT STATE OF ALABAMA

THE ALABAMA DEPARTMENT OF TRANSPORTATION AND ITS AFFILIATES DO NOT SPECIFICALLY OWNERSHIP OR MAINTENANCE OF ANY ROADS OR OTHER FEATURES DEPICTED ON THIS MAP.

CITY, MILITARY AND OTHER RELATED BOUNDARIES ARE PLOTTED USING ALL AVAILABLE DESCRIPTIONS AT DATE OF REVISION. THE ALABAMA DEPARTMENT OF TRANSPORTATION CANNOT ACCEPT RESPONSIBILITY FOR INACCURACIES RESULTING FROM UNOBTAINABLE OR UNKNOWN DATA.

DUE TO THE SCALE OF THIS MAP THE ALABAMA DEPARTMENT OF TRANSPORTATION AND ITS AFFILIATES ASSUME NO RESPONSIBILITY FOR INACCURACIES IN ROAD ALIGNMENTS, CONFIGURATION OR INTERSECTIONS, AND OTHER RELATED DATA.

COPIES OF THIS MAP ARE AVAILABLE TO THE PUBLIC AT NOMINAL COST AT THE ALABAMA DEPARTMENT OF TRANSPORTATION MAP SALES OFFICE
P.O. BOX 3050
1409 COLISEUM BOULEVARD
MONTGOMERY, ALABAMA 36130-3050